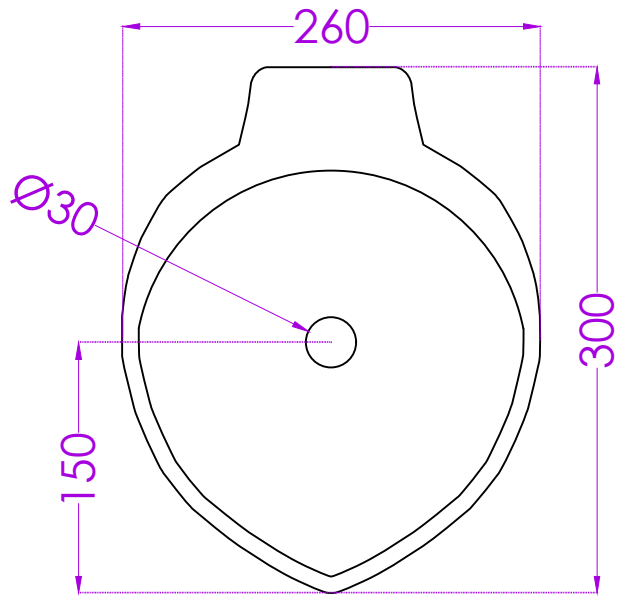


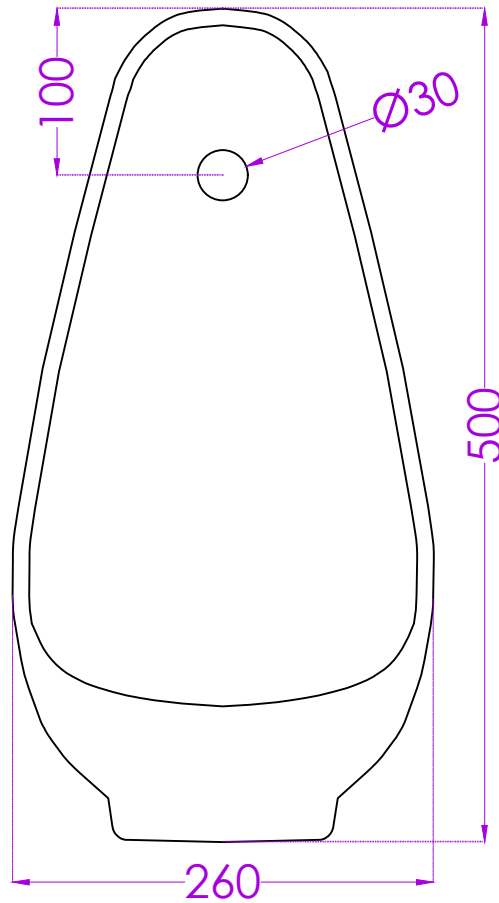
KITO P2719PW0704

URINAL

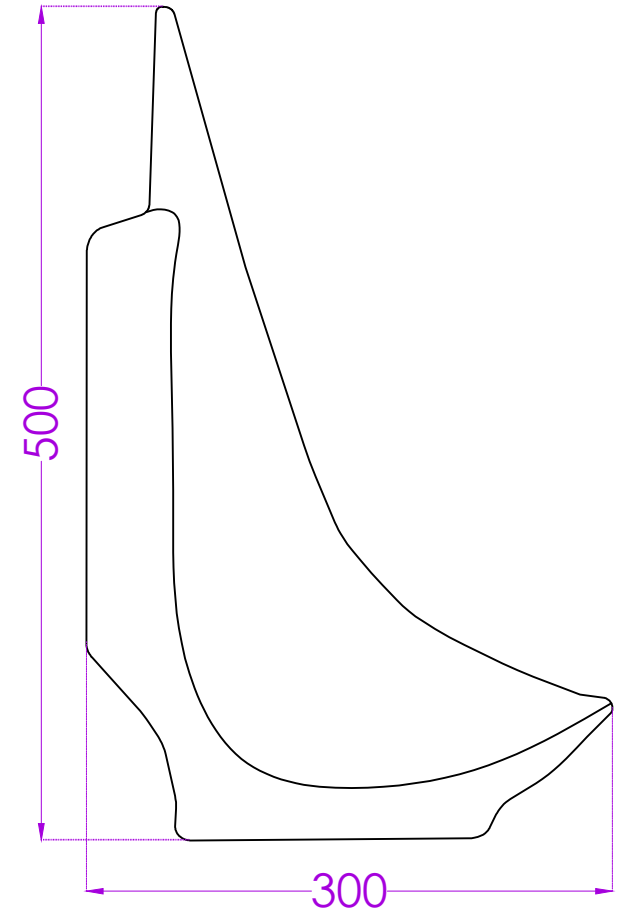
JOHNSON



PLAN



FRONT



SIDE